




PREMIUM CLADDING COLLECTION

COMPLETE PRODUCT RANGE

 **SimplyPlastics**



GREY MARBLE



ASH OAK



WHITE METRO TILE

Decorative Wall Cladding

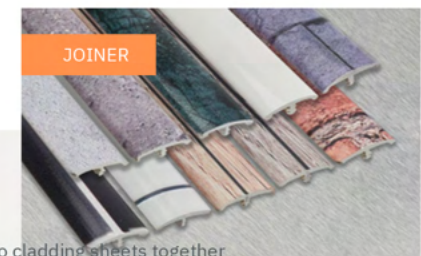
This unique range of decorative hygienic wall cladding combines the benefits of our uPVC fire rated material with high-resolution digitally printed images and a UV cured clear hard coating. The coating provides permanent protection to the printed surface offering superior abrasion and chemical resistance whilst the sheet material is easily cut, glued and welded.

- Exciting wall design images
 - Easy to install
 - Fire rated to self-extinguishing
 - High abrasion and chemical resistance
 - Effective hygienic wall protection
- | Sheet Size (mm) | Thicknesses (mm) |
|-----------------|------------------|
| 2500 x 1220mm | 2.5mm |
| 3050 x 1220mm | |

Clear Hard Coating

A UV cured clear coat based on a urethane acrylate monomer. Provides excellent protection against abrasion and chemicals as well as yellowing from UV rays.

- High abrasion and chemical resistance
- Clear transparent high gloss or matt finish
- Durable, enhancing the life of uPVC substrate



JOINER

Profile Information Joiner*



*For joiner base please see page 6

- Option for joining two cladding sheets together
- Available in 2500mm and 3050mm lengths
- Digitally printed to create continuous decorative image
- Use with our Stixall® crystal clear sealant for a water tight finish

PREMIUM CLADDING COLLECTION

Decorative Cladding



Replace traditional wall coverings with our impact-resistant and hygienic decorative wall cladding. High-resolution images are digitally printed directly onto uPVC sheets with a high gloss or matt finish creating impressive tactile designs with depth and realism.

EXPLORE OUR WIDE SELECTION OF DECORATIVE WALL CLADDING - EFFORTLESS, UNIQUE AND HYGIENIC

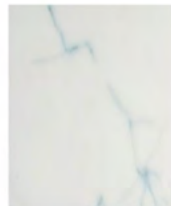
GLOSS FINISH



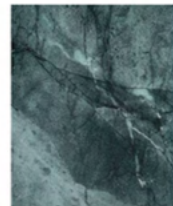
WHITE METRO TILE
31224



BLACK MARBLE TILE
31228

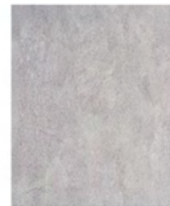


WHITE MARBLE
31216



GREY MARBLE
31220

MATT FINISH



SMOOTH CONCRETE
31232



POROUS CONCRETE
31236



NATURAL OAK
31252



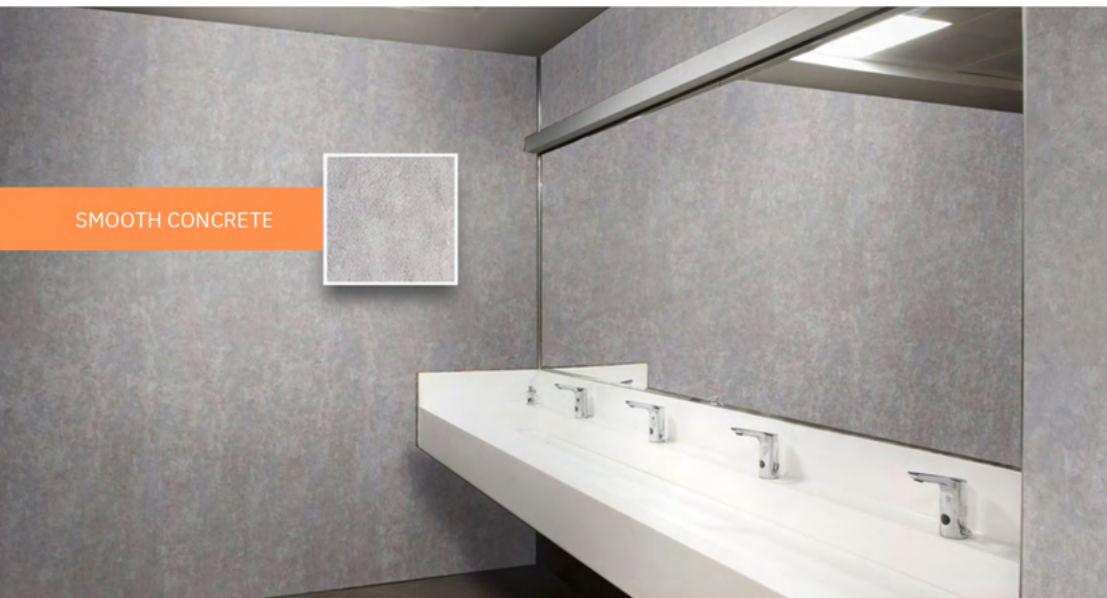
ASH OAK
31248



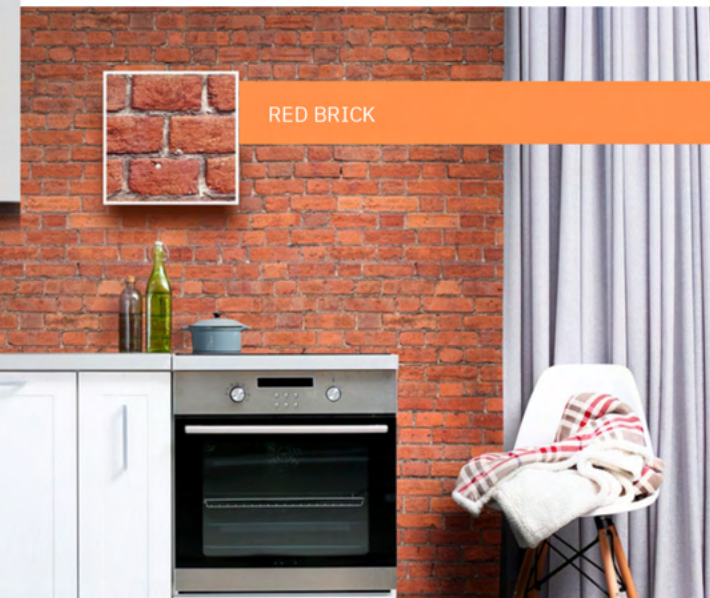
SPLIT FACED SLATE
31240



RED BRICK
31244

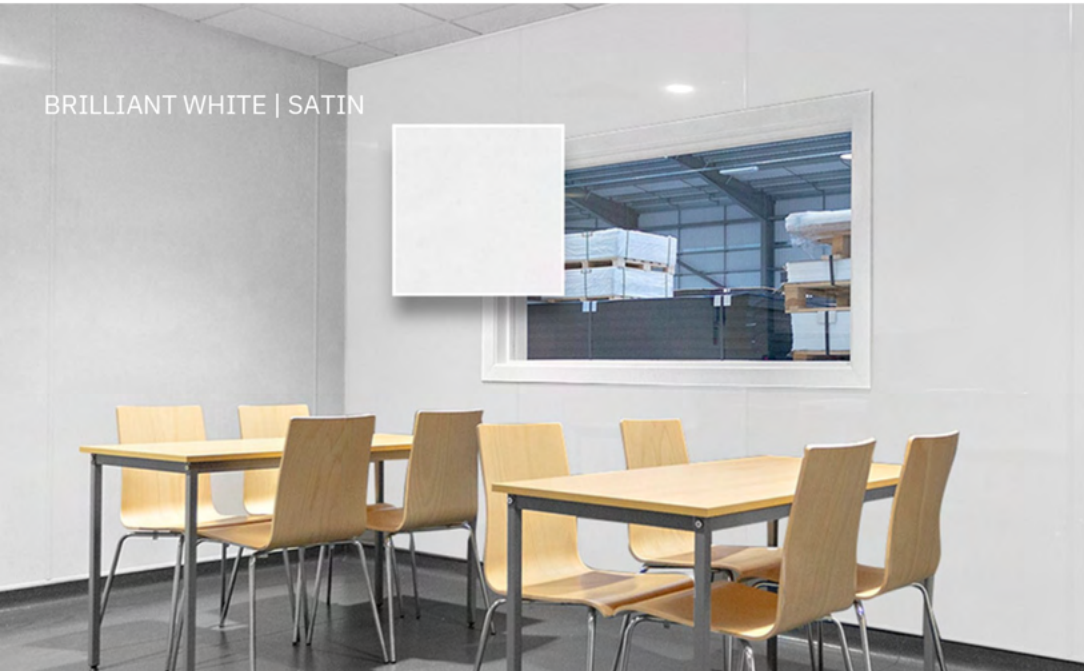


CLEAR HARD COATING
Our clear hard coating offers permanent protection to the printed surface, providing abrasion and chemical resistance that protects against long-term wear.



Please note: Colours shown are for illustrative purposes only, samples available upon request

PREMIUM CLADDING COLLECTION
Satin & Gloss Cladding



BRILLIANT WHITE | SATIN

Satin and Gloss Wall Cladding

Our uPVC wall cladding is a fire rated and food approved material that provides the most effective method of producing a complete hygienic and hard wearing environment. Offering excellent chemical resistance, good temperature range (+60 to -0°C) and is easily cut, formed, glued and welded.

- | | | |
|--------------------------------------|------------------------------|-------------------------|
| ● Fire rated to self-extinguishing | Sheet Size (mm) | Thicknesses (mm) |
| ● High chemical resistance | 2400 x 1200mm* | 2.5mm |
| ● Cost effective and easy to install | 2500 x 1200mm | |
| ● Complete hygienic wall protection | 3050 x 1220mm | |
| ● Food contact approved | <i>*Brilliant White Only</i> | |

Applications

Our uPVC wall cladding is suitable for hygienic applications such as:

- Kitchens
- Bathrooms
- Gymnasiums
- Dental Practices
- Hospitals
- All hygienic and hard wearing applications



SANDSTONE | SATIN



ASH | GLOSS



FUCHSIA | GLOSS



AVOCADO | GLOSS

PREMIUM CLADDING COLLECTION

Satin & Gloss Cladding



EXPLORE OUR WIDE SELECTION OF SATIN AND GLOSS WALL CLADDING - QUALITY, HYGIENIC AND LONG-LASTING

SATIN RANGE

Our satin range offers a calming palette of pastel colours for hygienic environments, helping to keep areas clean, fresh and bright with subtle tones and an easy clean surface.



BRILLIANT WHITE 31177 CLAY 30896 LINEN 31115 IVORY 30936 SANDSTONE 30941



PEBBLE 31094 DUCK EGG 31147 WILLOW 30992 MINT 31119 SKY 30891

GLOSS RANGE

Our gloss range offers a wide selection of vibrant colours for creating accent walls, areas of interest or an all-over colour design with a high-shine, easy clean reflective surface.



WHITE 31105 SLATE 30953 ASH 30961 PLUM 30984 RUBY 30988



FUCHSIA 30980 ORANGE 30976 LIME 30968 AVOCADO 30949 GRAPE 30957



LAGOON 30972

Please note: Colours shown are for illustrative purposes only, samples available upon request

SUPERIOR QUALITY AS STANDARD

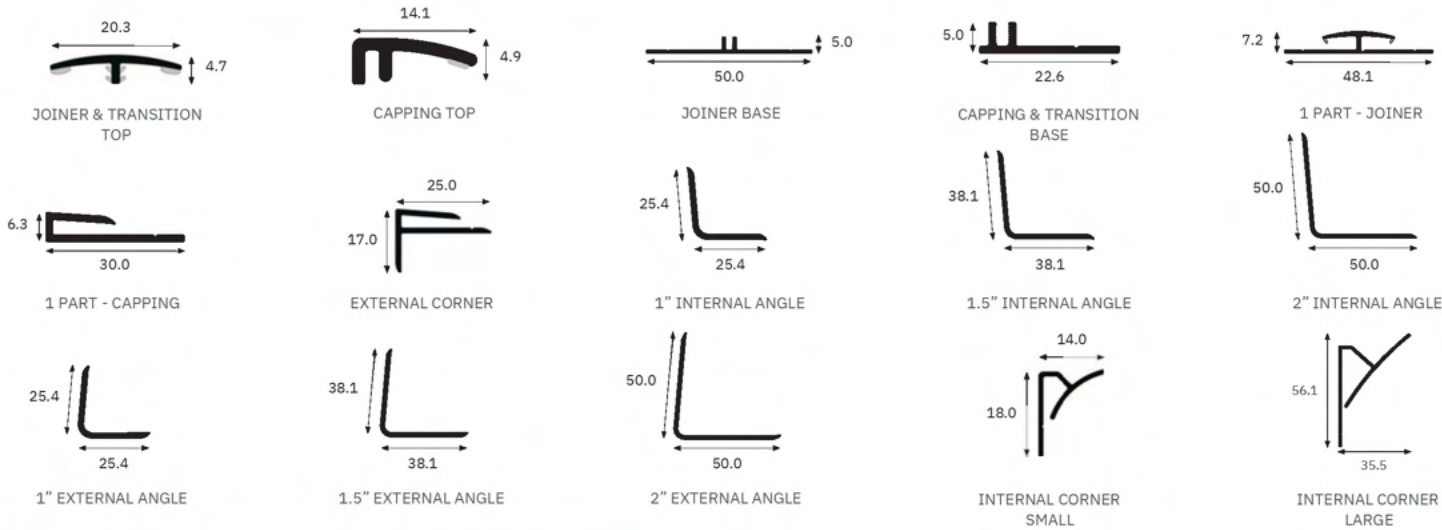
Offering a complete cladding system that is attractive, durable and long-lasting, even in the most extreme environments. Together with our range of accessories, the complete cladding system will form a protective barrier to moisture, dirt and bacteria.

PREMIUM CLADDING COLLECTION

Profiles & Adhesives



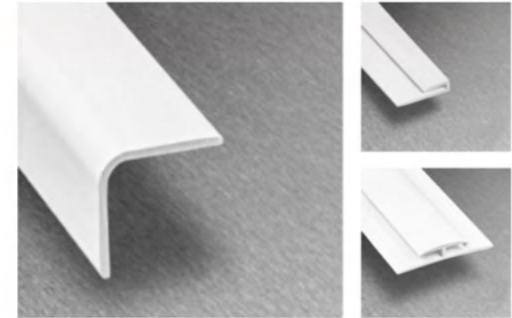
PROFILES - BRILLIANT WHITE (Dimensions shown in mm)



PROFILE INFORMATION BRILLIANT WHITE PROFILES

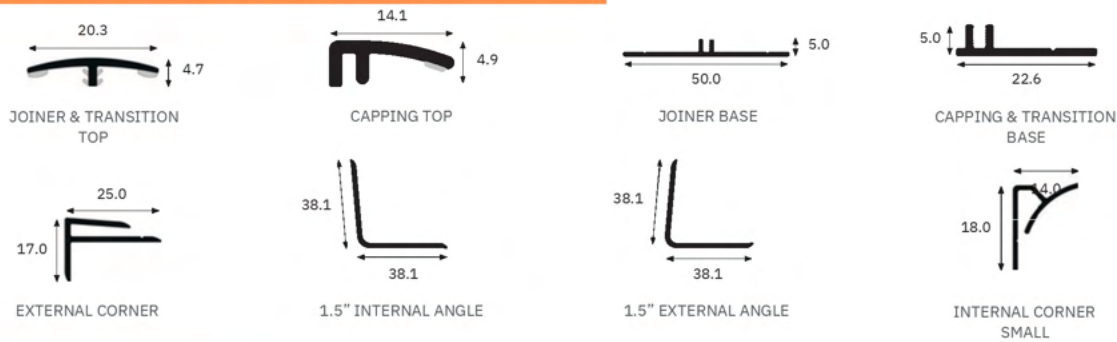
Lengths

2440m
m
3050m
m



PROFILES - DECORATIVE For more information on our decorative wall cladding profiles, please see page 2.

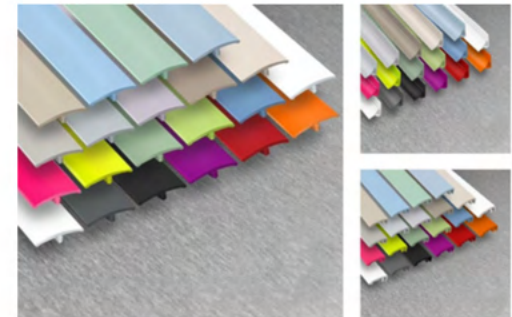
PROFILES - SATIN AND GLOSS (Dimensions shown in mm)



PROFILE INFORMATION SATIN AND GLOSS PROFILES

Lengths

2440m
m
3050m
m



*Available in selected colours only

PREMIUM CLADDING COLLECTION

Profiles & Adhesives



SPECIALIST ADHESIVES AND SILICONES FOR CLADDING APPLICATIONS - EASY TO APPLY, HIGH QUALITY AND WATER RESISTANT

ADHESIVE RANGE



PREMIERBOND HT WHITE
Hybrid MS Polymer Technology
Premium Grade
290ml cartridge and 600ml foil
Shelf Life: 18 months
10683

- Overall Benefits:**
- Paintable
 - Curing time 24 hours
 - Permanently flexible
 - High tack properties
 - Wet room environments
 - Non-corrosive towards metals
 - UV, moisture and mould resistant



PREMIERBOND 2PT WHITE
2-Part Component
Polyurethane Adhesive
6.5kg pack
Shelf Life: 6 months
10705

- Overall Benefits:**
- Tough, long lasting resilient bond
 - Resistant to water, solvents and heat
 - Full sheet coverage
 - Minimal bubbling
 - Cure as you mix part B



STIXALL® EXTREME POWER
CRYSTAL CLEAR
Hybrid Polymer Technology
Sealant with Adhesive
Properties
290ml cartridge
Shelf Life: 12 months
50724

- Overall Benefits:**
- Incredible grab and gap filling
 - High bonding strength
 - Interior and exterior use
 - Quick curing
 - Watertight, waterproof and weatherproof
 - Temperature extremes (-40°C to +70°C)

SILICONE RANGE



GENERAL PURPOSE SILICONE
WHITE
SX Contractors GP Silicone
Acetoxy
300ml cartridge
Shelf Life: 18 months
33618

- Overall Benefits:**
- Versatile sealant
 - High elasticity
 - Good resistance to UV and weather



SANITARY SILICONE WHITE
SX Contractors Sanitary Silicone
Anti-fungal Acetoxy
300ml cartridge
Shelf Life: 18 months
33620

- Overall Benefits:**
- Sanitary formulation
 - For use in kitchens, bathrooms and showers



MULTI PURPOSE SILICONE
BLACK
SX Sureseal MP Silicone
Acetoxy
300ml cartridge
Shelf Life: 18 months
33575

- Overall Benefits:**
- Versatile sealant
 - High elasticity
 - Good resistance to UV weather



BESPOKE COLOUR MATCH SILICONE
COLOURS
Neutral Silicone
Available in many colours
310ml cartridge
Shelf Life: 9 months

- Overall Benefits:**
- Sanitary formulation
 - Neutral curing
 - Almost odourless
 - Perfect bonding without primer on most substrates

Please note: Colours shown are for illustrative purposes only, samples available upon request